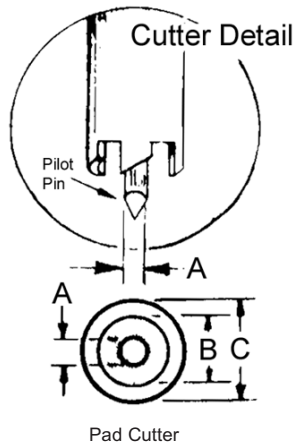


Pad Cutters, Insertion Tools

Pad Cutters:

Vector Pad Cutters provide an effective method for creating isolated solder pads around holes in copper clad boards. Pilot pin enters hole and rotates, creating a clearance area around the solder pad. Available for boards with .062" or .042" diameter holes. Also available without handles for use with manual or power drills.



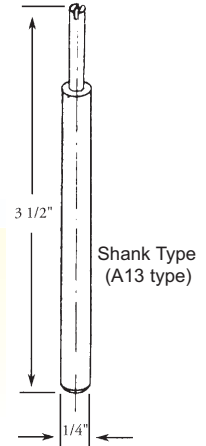
P138A - Handle type



Shows pad removal & pad cutter P116C

Hand Insertion Tools for Push-In Terminals

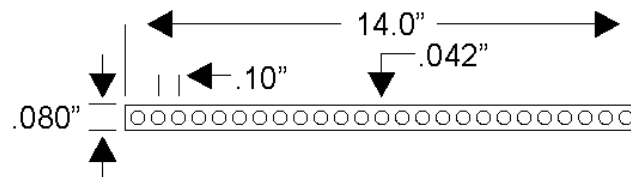
Part No.	For Terminal	Part No.	Holder Type
A13	T44		Shank
A13-1	T68		Shank
P91A	T28		Handle
P156	T49		Handle
P133A	T46 series & K24 - K31		Shank
P134	K36		Handle
P149A	T42-1		Handle
P149	T42-1		Shank with removable rubber cap



P149

T107

Bus Strips



- Flat cold-drawn flat copper wire, 0.017" thick (+/-0.003")
- 0.080"W with 0.042" diameter holes on 0.100" centers
- Hot 100% Tin dipped, fully RoHS compliant
- Compatible with most Vectorbord® hole patterns

Part No.	Pkg Qty
T107/C	100
T107/10	10

HA9

Rotation Type Ejector Handle



Dimensional information for HA9 is on Page 44

- Card ejector, corner mounting
- Supports up to 40 lbs extraction force
- White nylon, (hardware included)

Part No.	Pkg Qty
HA9/4	4
HA9/C	100

Part No.	Holder Type	A	B	C	Shank	Use with Vectorbord®
P116C	Handle/Shank	.055"	.188"	.250"	.250"	Pattern G, H .062" holes
P138A	Handle/Shank	.040"	.086"	.125"	.125"	Pattern P, .042: holes
P138C	Shank Only	.040"	.086"	.125"	.125"	Pattern P, .042: holes



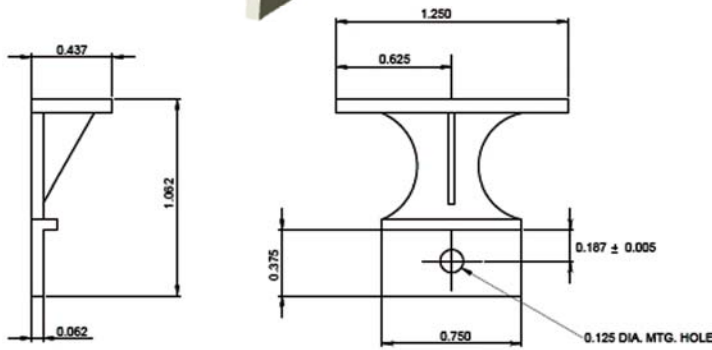
Specification subject to change without notice

HA14

Pull Type Ejector Handle



- Extraction/insertion handles
- Mounts on front edge of Plugbord™ with single screw or roll-pin
- Plastic (FE4)



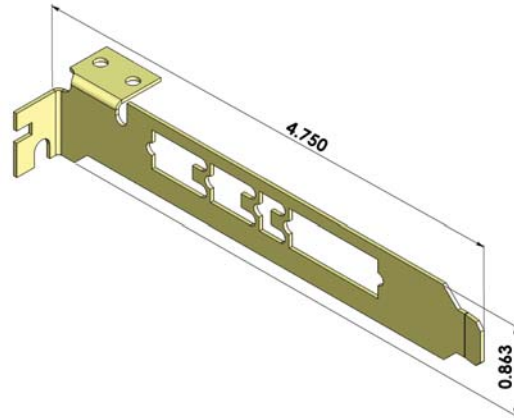
Part No.	Package Quantity
HA14	4
HA14/C	100



HD36B

Mounting Bracket Kit

Mounting Bracket Kit with hardware for IBM PC, AT & EISA P.C. boards
Pattern has "knock out" cutouts for "D" subminiature connectors



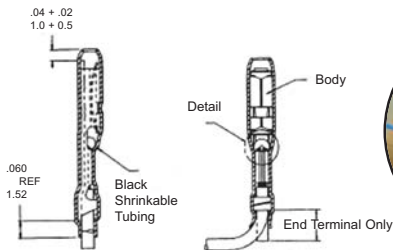
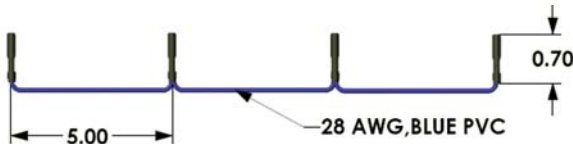
Part No.	Package Quantity
HD36B	1



T120-1

Slip-On Contacts

- Reels of slip-on contacts. 5" apart
- Slips onto .025" square posts
- 28 gage PVC insulated blue wire
- Temperature Range: -310 to 221°F (-190 to 105°C)

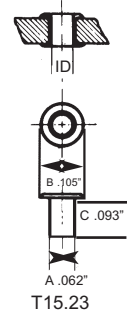
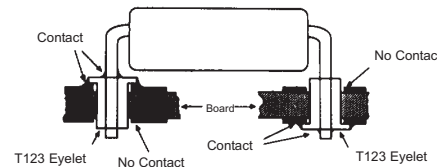


Part No.	Contact Description	Package Quantity
T120-1/50	installed on wire	Reel of 50
T120-1/250	installed on wire	Reel of 250

www.vectorelect.com

Eyelets T15.23, T123

- 2 versions provide hole size reduction
T123 - reduces .055" dia. holes to .042"
- T123 eyelets are copper with .0003" to .0005" thick tin plating
T15.23 - reduces .062" dia. holes to .042"
- Simulates copper thru hole plating
- Used to commit power and ground planes



Part No.	Qty	A	B	C	ID
T15.23/M	1000	.062"	.105"	.093"	.042"
T123/500	500	.055"	.105"	.093"	.042"
T123/1000	1000	.055"	.105"	.093"	.042"

Accessories

